



# AZEK Reserve Connector Kits

For AZEK Trademark Railing

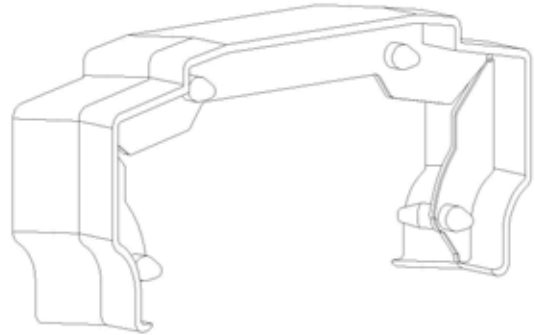
In order to ensure beautiful installation of Trademark Reserve railing, we have four easy-to-use decorative connector kits to fit every angle: In-Line Top Rail Connectors, 22.5 Degree Top Rail Connectors, 45 Degree Top Rail Connectors and Post Connectors. Please see below for information on each application.

### CUTTING THE TOP RAIL:

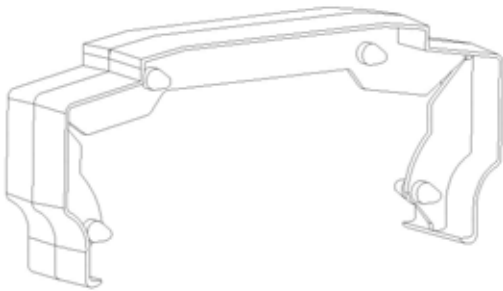
When cutting the top rail, allow for approximately 1/8" gap per side between corresponding top rails to ensure adequate space for the In-Line, 22.5 Degree or 45 Degree Top Rail Connectors.

### CONNECTOR INSTALLATION:

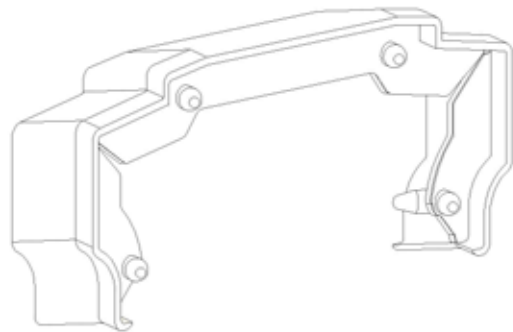
Slide the appropriate Top Rail Connector onto the top rail. Slide the other top rail into the other end of the connector with the assembled top rails over the railing section. Press the top rails onto the retainer, ensuring that they sit fully onto the retainer. (TIP: If top rail is too snug to easily push on, loosen the #14ss screws on the post brackets so that the rail can be adjusted. Be sure to retighten the screws when top rail is installed.)



22.5 Degree Top Rail Connector



In-Line Top Rail Connector

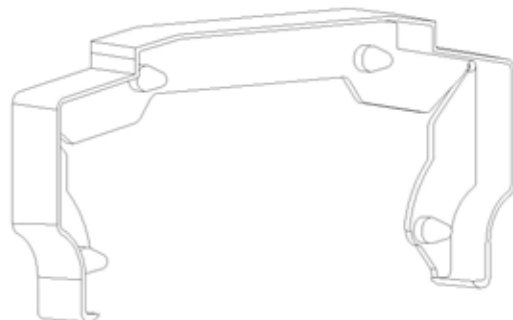


45 Degree Top Rail Connector

### POST CONNECTOR:

The Post Connector allows for a flush clean attachment to the post. Add a liberal amount of caulking to the post side of the connector inside the lip to adhere the connector to the post and slide it onto the pre-cut Top Rail. Install the Top Rail onto the sub rail Retainer, post side first as per instructions.

(NOTE: Remove any excess caulking with a damp cloth.)



Post Connector